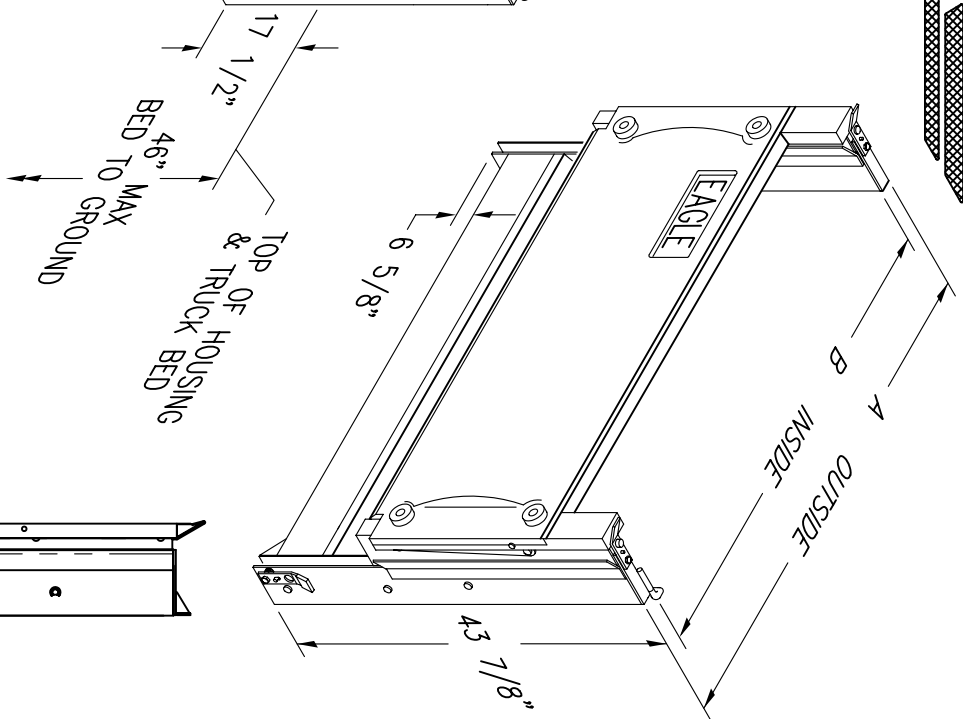
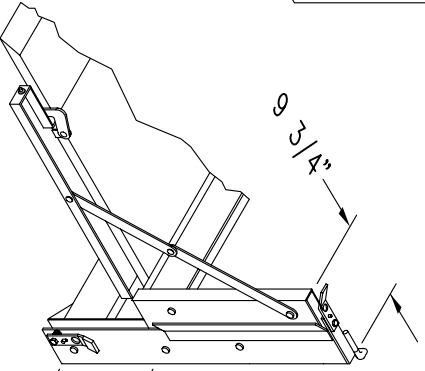
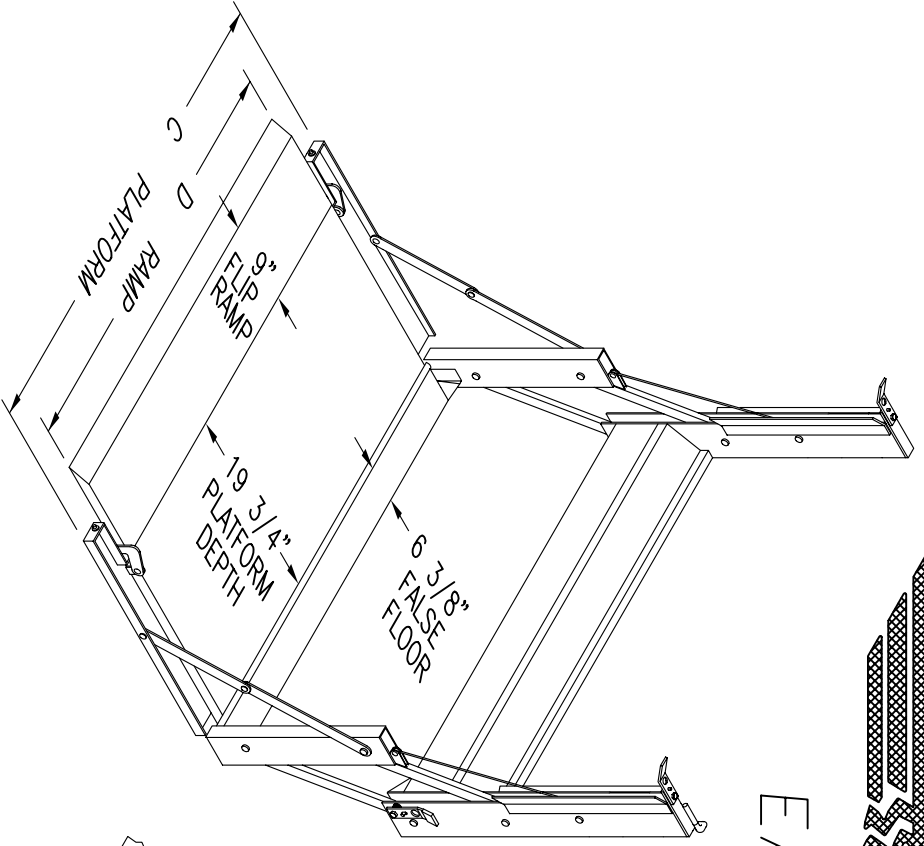


# EAGLE LIFT



## 46-64SB SERIES CABLE LIFTGATE

STATE MAKE, MODEL, AND YEAR WHEN ORDERING

MODEL	A	B	C	D	*APPROX. WGT.	CAPACITY	CG (X)	CG (Y)
E46-64SB	65 5/8"	63 1/8"	68"	61 3/4"	540#	1600#	5.27"	22.02"

\*NOTE: WEIGHTS DO NOT INCLUDE MOUNTING BRACKETS OR HARDWARE

