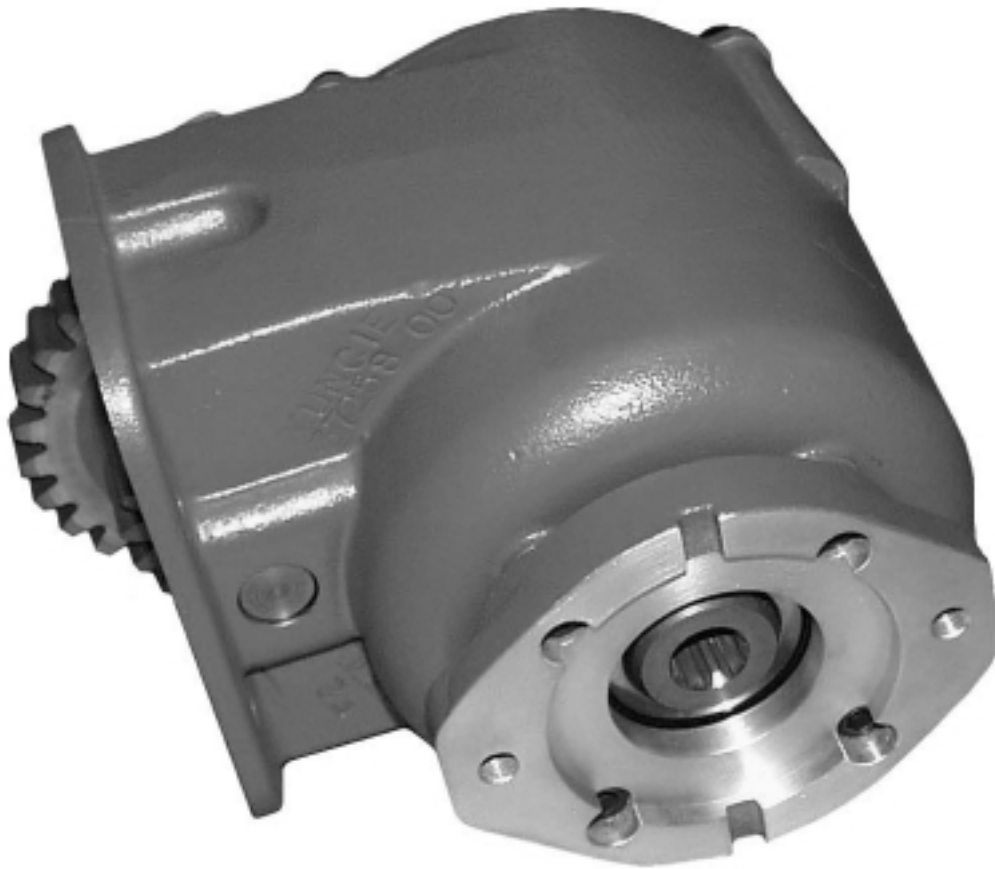


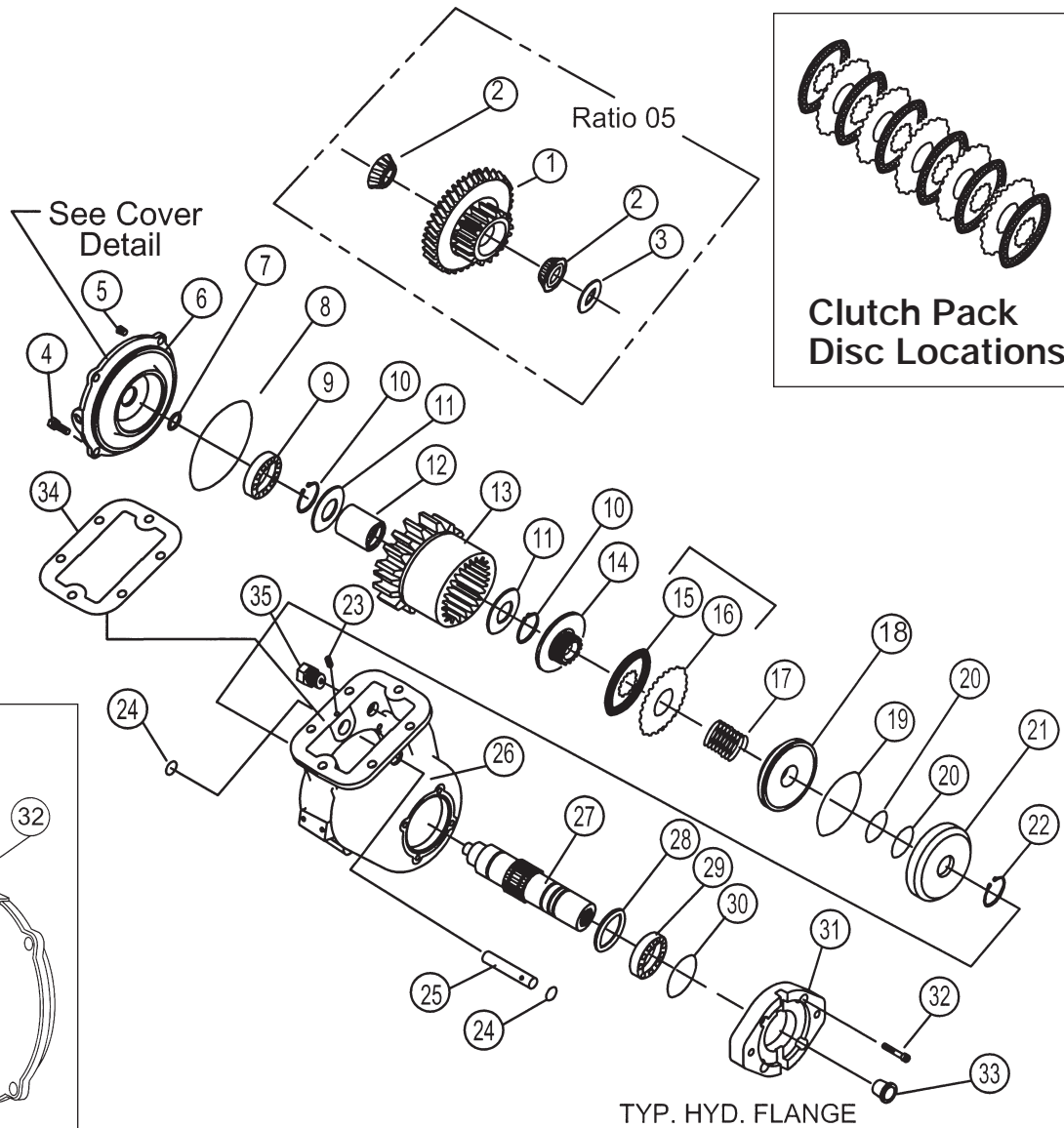


GA6B & GM6B SERIES POWER TAKE-OFF PARTS LIST



FOR THE ALLISON 1000/2000/2400 SERIES
AUTOMATIC TRANSMISSION

GM6B & GA6B SERIES PTO EXPLODED VIEW



MODEL NUMBER CONSTRUCTION

GA 6B - A68 05 - H 1 T X

PTO Type

Clutch Shift (Standard) — GA

**Clutch Shift Less Activation Kit — GM
(Used with 48TK4415 Installation
Kit w/Shield & Activation Kit)

Mounting

6 Bolt Standard Metric — 6B

Trans. CS Gear Data

Allison 6.86P 20°PA Spur — A68

Special Feature

X — None

Output Type

T — SAE "A" 2 Bolt

Assembly Arrangement

1

Shifter Type

H — Electric/Hydraulic (12 Volt)

Speed Ratio

05 — .47:1

**GM6B is PTO Unit only. Mounting Kit, Activation Kit, and Heat Shield Kit are sold separately. (See 48TK4415 back page)

SERVICE PARTS LIST AND DESCRIPTION

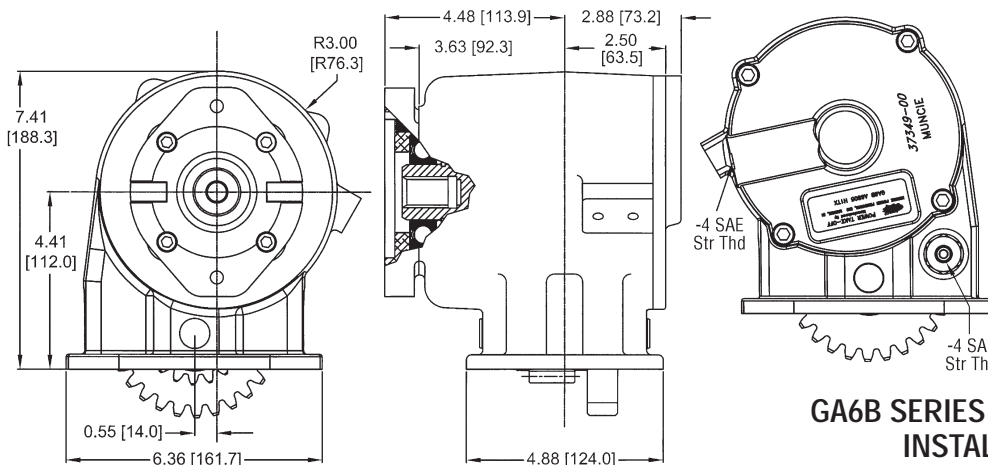
GA6B-A6805-H1TX • GM6B-A6805-H1TX

ITEM	QTY	PART NUMBER	DESCRIPTION
NS	2	25T37702	Capplug
1	1	03T37351	Gear
2	2	10T37736	Bearing
*3	1	18T35783	Shim (.115/.113)
	1	18T35782	Shim (.120/.118)
	1	18T35781	Shim (.125/.123)
	1	18T36230	Shim (.130/.128)
	1	18T36229	Shim (.135/.133)
	1	18T37151	Shim (.140/.138)
	1	18T37152	Shim (.145/.143)
	1	18T37153	Shim (.150/.148)
4	4	19T35237	Capscrew
5	2	25T21684	Pipe Plug
6	1	15T37350	Cover
7	1	12T36081	O-Ring
8	1	12T34003	O-Ring
9	1	10T21017	Bearing
10	2	24T35480	Snapping
11	2	21T29017	Race
12	1	10T37008	Bearing
13	1	02T37352	Gear
14	1	02T37338	Clutch Hub

ITEM	QTY	PART NUMBER	DESCRIPTION
15	6	49T37345	Clutch Friction Disk
16	5	49T37346	Clutch Stator
17	1	27T36112	Spring
18	1	49T37347	Piston
19	1	12T36186	O-Ring
20	2	12T36471	O-Ring
21	1	49T37348	Cup
22	1	24T36470	Snapping
23	1	19T35785	Setscrew
24	2	12T35774	O-Ring
25	1	07T37071	Shaft-Input
26	1	01T37259	Housing
27	1	06T37953	Shaft-Output
28	1	18T37737	Spacer
29	1	10T37229	Bearing-Sealed
30	1	12T36277	O-Ring
31	1	14T27735	Flange
32	4	19T33233	Capscrew-Hex Head
33	1	25T37387	Capplug
34	1	13M13541	Mounting Gasket
35	1	25T37761	SAE Bushing

*One Shim used as required for correct bearing load. .002" to .006" loose.

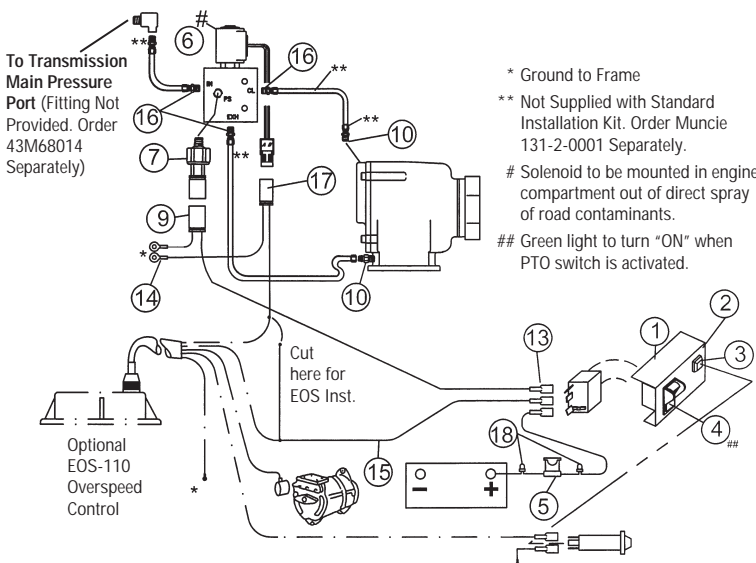
GA6B & GM6B SERIES DIMENSIONS



48TK4212 GA6B-A68 PTO KIT

QTY	PART NO.	DESCRIPTION
1	52MK1009	Gasket
		Instruction Pack
1	20TK4058	Stud Kit (see p4)
1	36MK3841	Safety Labels
1	48TK4211	Installation Kit GA Series (Content Below)

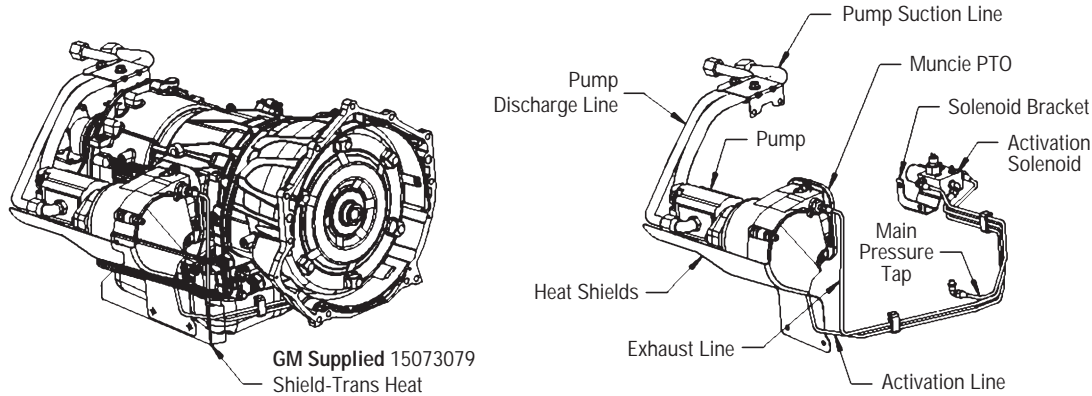
GA6B SERIES ELECTRIC/HYDRAULIC SHIFT INSTALLATION KIT 48TK4211



ITEM	QTY	PART NO.	DESCRIPTION
		30T36270	Switch Ass'y 12V (Incl. 1,2,3,4)
1	1	36MA1005	Switch Bracket
2	1	36M01006	Face Plate w/Light Access
3	1	36T36271	Face Plate w/o Light Access
4	1	30T35687	Rocker Switch 12V
N.S.	1	36MK1007	Mtg. Hardware (w/Switch Kit)
5	1	33T36299	Fuse Assembly
6	1	35T37928	12V Solenoid Valve (Service Parts see page 4)
7	1	30T37954	Pressure Switch
9	1	34T36941	Wiring Pigtail
10	2	43T36431	Straight, Adapter ODT to JIC
13	3	34M18250	Female Spade Connector
14	2	34M18009	Ring Terminal
15	12	37M18000	Electric Wire 12ft.
16	3	43M68014	Elbow, Adapter ODT to JIC
17	1	34MA1415	Wire Harness Connector
18	2	34T36362	End Crimp Connector
N.S.	2	19T36623	Solenoid Mounting Capscrew

GM6B INSTALLATION KITS

INSTALLATION KITS FOR GM6B PTO - SOLD SEPARATELY



GM6B-A6805-H1TX

(for complete installation instructions see IN01-03 manual)

48TK4415 INSTALLATION KIT TUBING/SHIELD USED WITH GM6B PTO

48TK4059 INSTALLATION KIT INCLUDED IN 48TK4415

QTY	PART NO.	DESCRIPTION
1	49T38501	Shield
1	49T38282	Bracket Solenoid
1	49T38269	Bracket
1	49T38268	Tubing Suction
1	49T38253	Tubing Discharge
1	49T38270	Tubing Engage
1	49T38281	Tubing Pressure
1	49T38280	Tubing Vent
1	49T38370	Shield
1	48TK4059	Kit (Content at Right)

QTY	PART NO.	DESCRIPTION
1	52MK1009	Gasket Kit
1	20TK4058	Stud Kit
1	35T37928	Solenoid Valve
1	30T37954	Press. Switch - 12v
1	36MK3841	Label Packet-English
1	22T38325	Nut-U
1	49T38322	Clamp
1	49T38393	Clamp
1	49T38295	Bracket
4	43M68014	Adapter-Hydraulic 90
1	43T38323	Adapter-Hydraulic 90

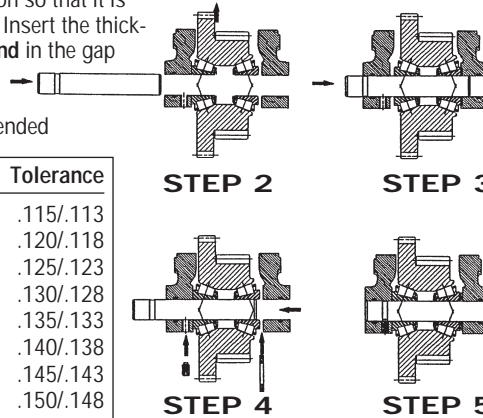
QTY	PART NO.	DESCRIPTION
1	43T38392	Adapter-Hydraulic 90
2	43T36431	Adapter-Hyd. Straight
2	19T37726	Hex Head Bolt
2	22T21723	Nut
3	19T37440	Bolt
2	19T36623	Bolt
2	22MX2520	Nut
1	30T38371	Switch
1	34T38335	Wire Harness
1	49T38294	Shield
3	21T23153	Washer

GA6 & GM6 ASSEMBLY

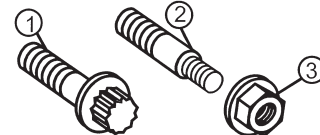
FOR PROPER INSTALLATION AND ADJUSTMENT OF THE TAPERED INPUT BEARINGS

- Lubricate bearings and races with lithium based bearing grease.
- Place input bearing into input gear and slide this group into housing to line up idler shaft.
- Tap idler shaft into housing and through both bearing races.
- Tap idler shaft in the reverse direction so that it is flush with bearing in this assembly. Insert the thickest shim that can be installed **by hand** in the gap between bearing and housing. Rotate input gear to ensure it is not excessively tight or loose. Recommended bearing pre-load is .002 loose to .006 loose. *Note the location of Shim in Step 4 of diagram is on opposite side of gear than set screw.*
- Tap idler shaft into position and install set screw.

Shim	Tolerance
18T35783	.115/.113
18T35782	.120/.118
18T35781	.125/.123
18T36230	.130/.128
18T36229	.135/.133
18T37151	.140/.138
18T37152	.145/.143
18T37153	.150/.148



20TK4058 STUD KIT FOR GA6B OR GM6B SERIES



ITEM	QTY	PART NO.	DESCRIPTION
1	2	19T35778	10mm Capscrew
2	4	20T37952	10mm Step Stud
3	4	22T37605	Whiz-Lock Nut

35T37928 SOLENOID VALVE

35T36092 Replacement Cartridge Contains the Following:

QTY	PART NO.	DESCRIPTION
1	22T36498	Retaining Nut
1	37T36496	12v Coil
1	35T37997	Valve Stem
1	12TK3902	Seal Kit



Muncie Power Products, Inc. General Offices & Distribution Center • P.O. Box 548 • Muncie, IN 47308-0548
(765) 284-7721 • FAX (765) 284-6991 • E-mail info@munciepower.com • Web http://www.munciepower.com
Drive Products, Inc., Toronto, Exclusive Agents for Canada

