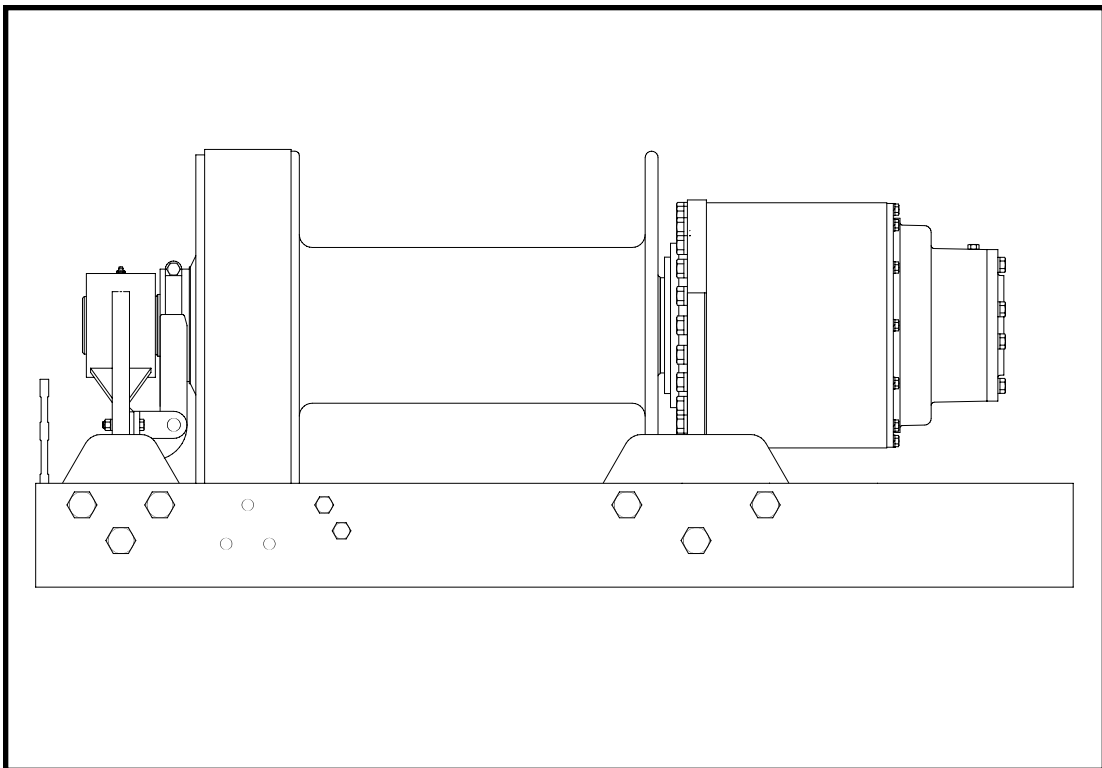


# BRADEN®

# HP125A

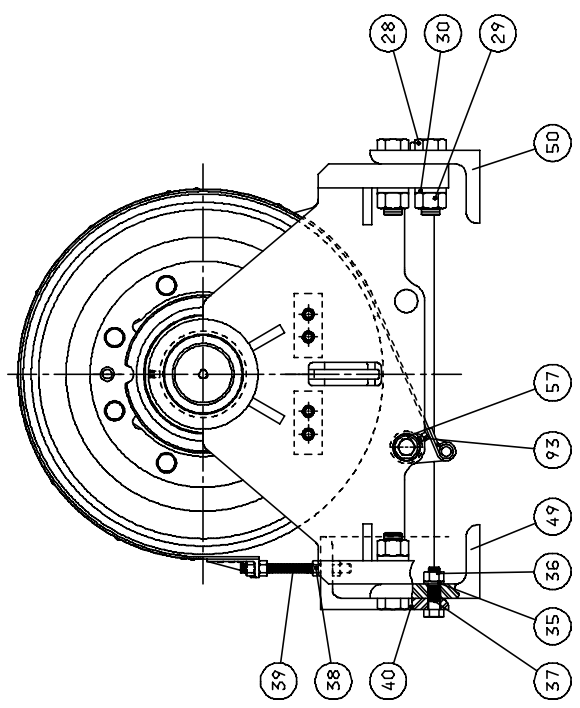
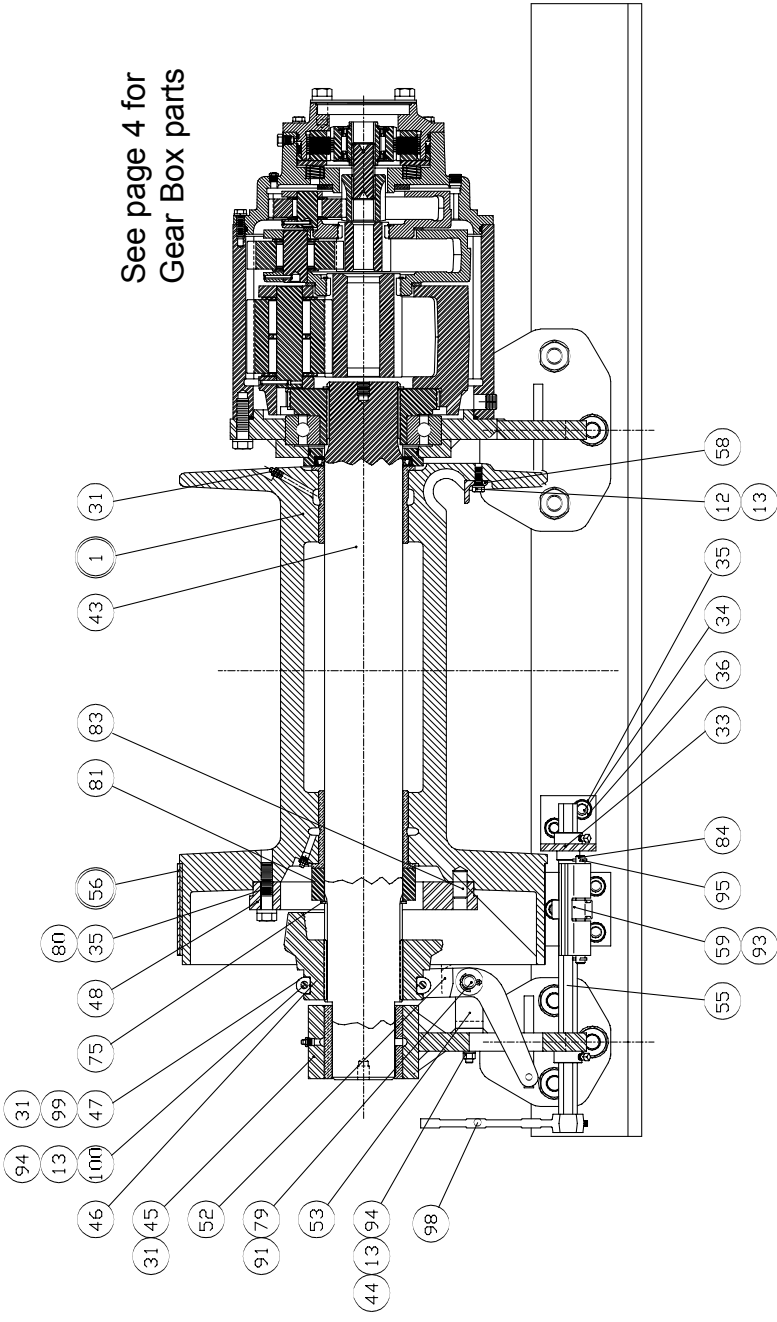
Low Mount  
Hydraulic Planetary  
Recovery Winch

## MATERIAL LIST

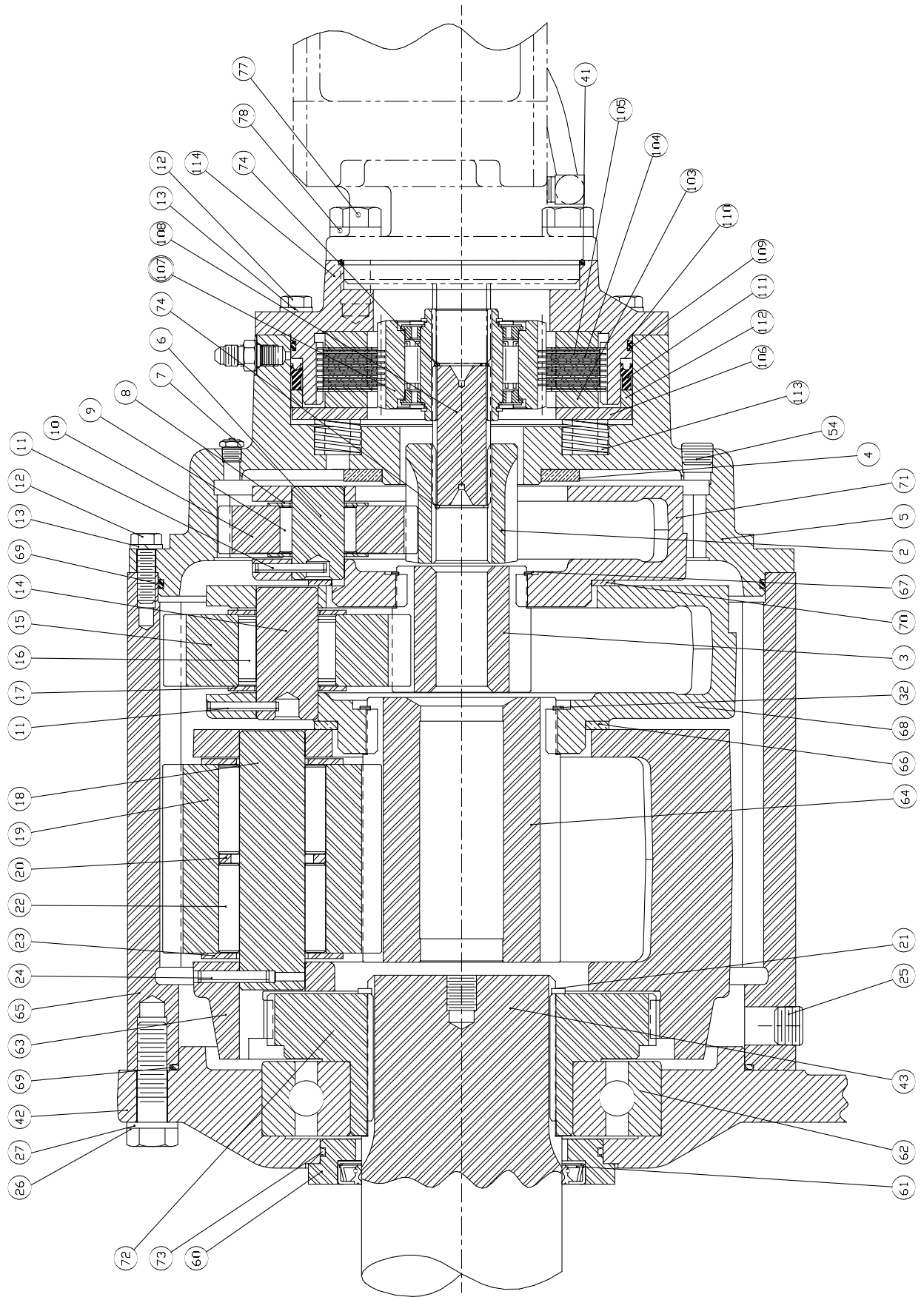


**PACCAR** WINCH DIVISION  
P.O. BOX 547 BROKEN ARROW, OK U.S.A. 74013  
PHONE (918) 251-8511 FAX (918) 259-1575  
[www.paccarwinch.com](http://www.paccarwinch.com)

See page 4 for  
Gear Box parts



ITEM NO.	PART NO.	DESCRIPTION	QTY.
1	101634	CABLE DRUM	1
1A	101689	BUSHING, DRUM	2
12	104132	CAPSCREW, 3/8 - 16 UNC X 1-1/4 HEX HD, GD8	19
13	27152	LOCKWASHER, 3/8	24
28	103580	CAPSCREW, 1 - 8 UNC X 3-1/2 HEX HD, GD8	12
29	22887	NUT, HEX HVY, 1 - 8 UNC	12
30	13986	LOCKWASHER, 1 in.	12
31	18047	GREASE FITTING	4
33	104866	SUPPORT BRACKET	1
34	22699	CAPSCREW, 5/8 - 18 UNF X 2 in. HEX HD, GD8	4
35	102423	LOCKWASHER, 5/8	15
36	22702	NUT, HEX, 5/8 - 18 UNF	7
37	11475	CAPSCREW, 5/8 - 18 UNF X 2-1/4 HEX HD, GD8	3
38	101439	NUT, HEX, 1/2 - 13 UNC	8
39	105027	STUD	2
40	105049	BRAKE BAND BRACKET	1
43	101637	CABLE DRUM SHAFT	1
44	104134	CAPSCREW, 3/8 - 16 UNC X 2-1/4 HEX HD, GD8	4
45	83215	BEARING LEG ASSEMBLY (LM)	1
45A	12876	BEARING LEG BUSHING	1
46	101638	CLUTCH	1
47	11671	CLUTCH RIDER	1
48	11259	CLUTCH PLATE	1
49	101639	BASE ANGLE	1
50	101640	BASE ANGLE	1
52	11673	CLUTCH SHIFTER FORK	1
53	11656	CLUTCH SHIFTER FORK BRACKET	2
55	24658	CONTROL SHAFT	1
56	83216	BRAKE BAND ASSEMBLY (LM)	1
57	11669	THRUST COLLAR BEARING	2
58	101950	ANCHOR RETAINER PLATE	1
59	11678	BRAKE LEVER	1
75	101884	RETAINING RING	1
79	11657	CLUTCH SHIFTER FORK PIVOT PIN	1
80	13982	CAPSCREW, 5/8 - 18 UNF X 2-3/4 HEX HD, GD8	8
81	101882	SPACER	1
83	12769	DOWEL PIN	2
84	12773	BRAKE BAND PIN	1
91	13959	COTTER PIN	1
93	13957	SETSCREW	3
94	11780	NUT, HEX, 3/8 - 16 UNC	6
95	18008	COTTER PIN	2
98	81208	LEVER ASSEMBLY	1
99	11672	CLUTCH RIDER	1
100	21477	CAPSCREW, 3/8 - 16 UNC X 4 in. HEX HD, GD8	2



ITEM NO.	PART NO.	DESCRIPTION	QTY.
2	100523	PRIMARY SUN GEAR	1
3	40097	SECONDARY SUN GEAR	1
4	11571	THRUST WASHER	1
5	101635	PRIMARY RING GEAR	1
6	28731	PRIMARY PLANET PIN	3
7	18062	VENT PLUG	1
8	28742	THRUST WASHER	6
9	28859	ROLLER	51
10	40092	PRIMARY PLANET GEAR	3
11	18057	ROLLPIN	6
14	27923	SECONDARY PLANET PIN	3
15	40096	SECONDARY PLANET GEAR	3
16	27911	ROLLER	42
17	28729	THRUST WASHER	6
18	29126	FINAL PLANET PIN	3
19	29094	FINAL PLANET GEAR	3
20	29129	BEARING SPACER	3
21	100931	RETAINING RING	1
22	29001	ROLLER	78
23	29128	THRUST WASHER	6
24	18055	ROLLPIN	3
25	19045	PLUG	1
26	100051	CAPSCREW, 5/8 - 11 UNC X 2-1/4 HEX HD, GD8	24
27	100052	WASHER, FLAT HARD, 5/8	24
32	28736	RETAINING RING	1
41	10330	O-RING	2
42	104831	END BRACKET (LM)	1
54	23095	PLUG	1
60	101711	SEAL CARRIER	1
61	103062	OIL SEAL	1
62	101706	BALL BEARING	1
63	29125	FINAL PLANET CARRIER	1
64	29095	FINAL SUN GEAR	1
65	100897	RING GEAR	1
66	28730	THRUST WASHER	1
67	76209	RETAINING RING	1
68	27930	SECONDARY PLANET CARRIER	1
69	72801	O-RING	2
70	28782	THRUST WASHER	1
71	40094	PRIMARY PLANET CARRIER	1
72	101641	OUTPUT ADAPTER	1
73	24981	O-RING	1
74	24506	RETAINING RING	2
77	103250	CAPSCREW, 1/2 - 13 UNC X 3/4 HEX HD, GD8	4
78	11026	LOCKWASHER, 3/4	4
103	24489	BRAKE PLATE SPACER	2
104	24490	BRAKE DISC	10
105	25530	FRICTION DISC	7
106	25719	SPRING PLATE	1
107	81644	SPRAG CLUTCH ASSEMBLY	1
108	101707	PRIMARY SUN GEAR	1
109	22357	O-RING	1
110	77278	BACK-UP RING	1
111	25724	SEAL, U-CUP	1
112	25746	PISTON RING	1
113	25723	BRAKE SPRING	12
114	101633	MOTOR ADAPTER	1
115	29429	FERRULE (1-1/4) (NOT SHOWN)	1