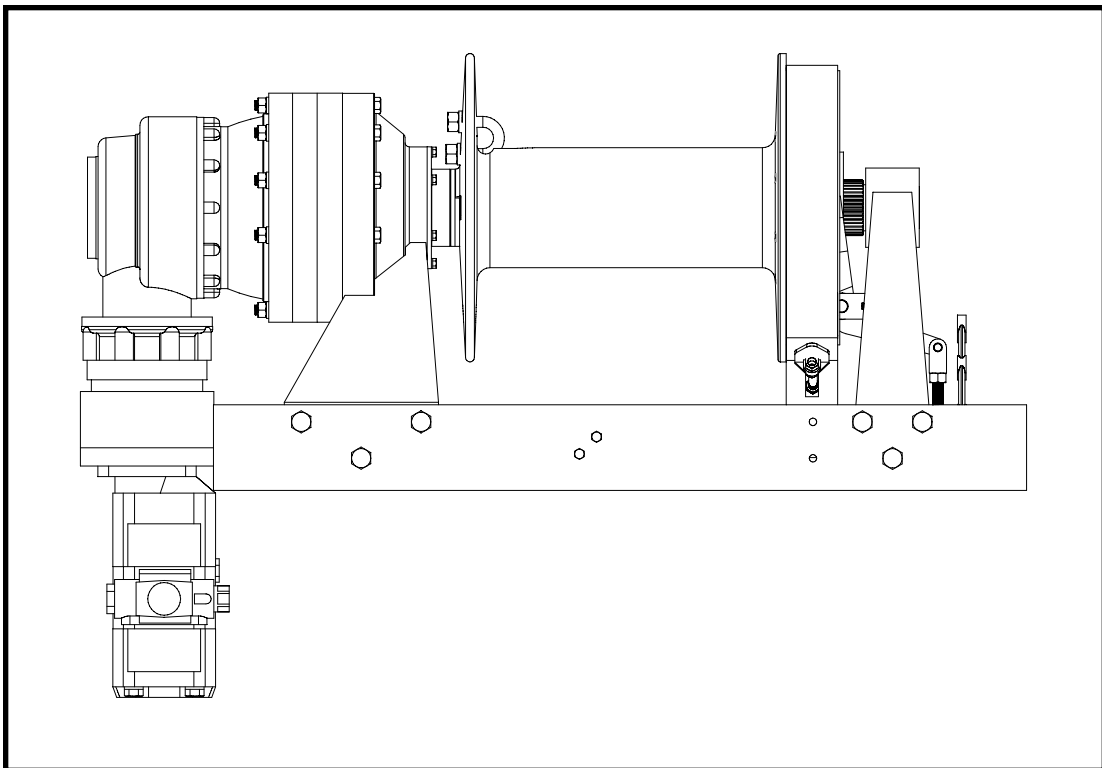
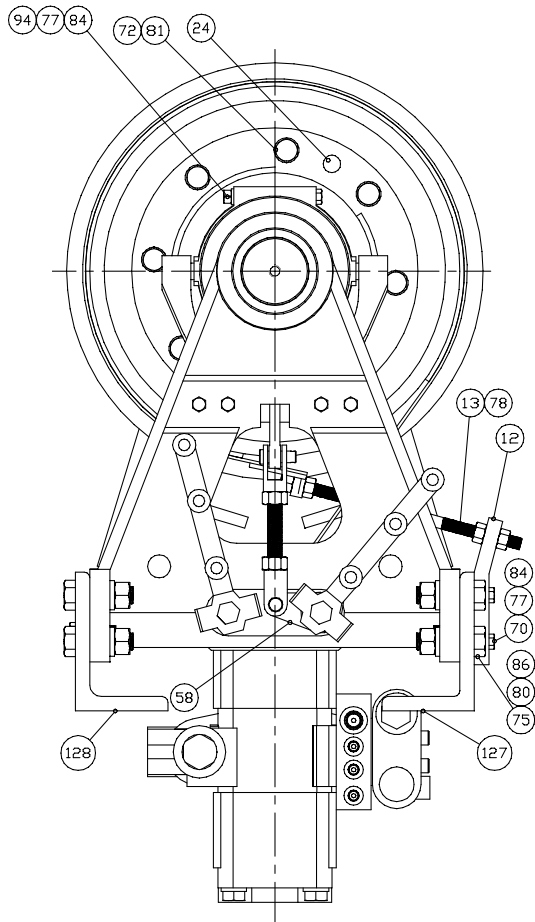
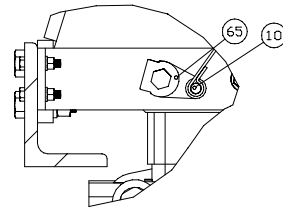
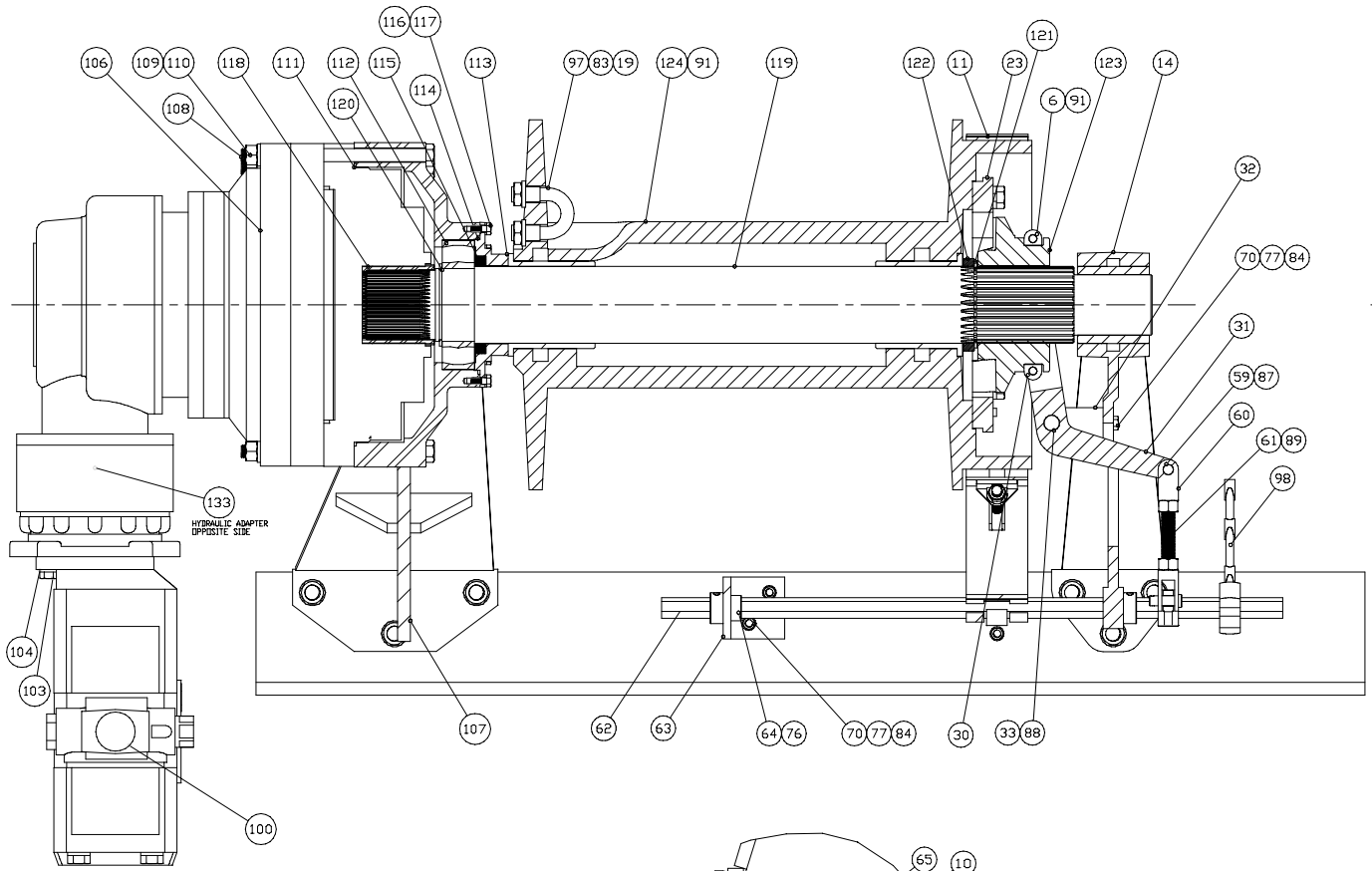


MATERIAL LIST

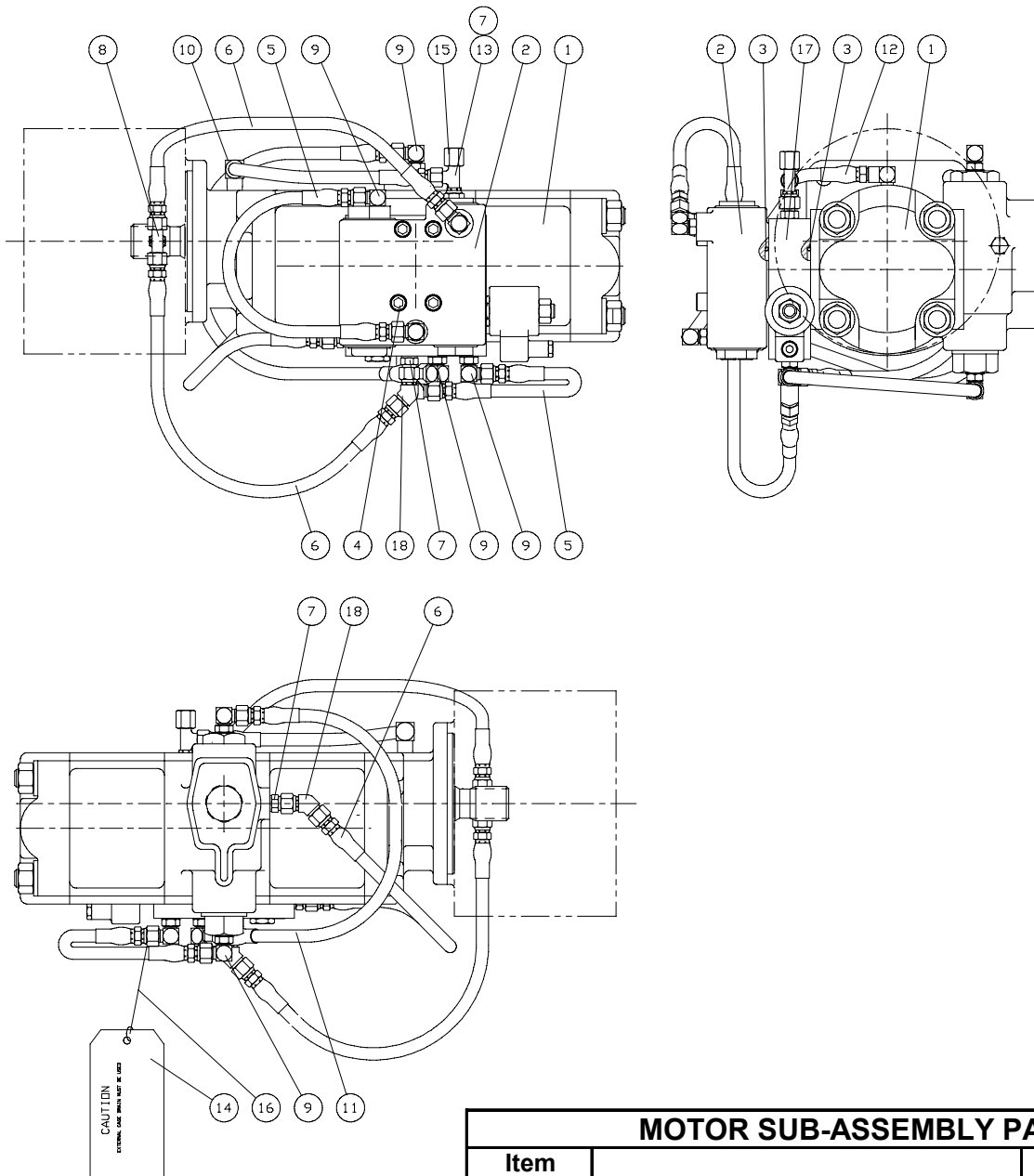
NOTE: Several “running” changes have been made to the hydraulic motor group and its hoses and fittings. These were done to implement product improvements. ALWAYS include the winch serial number and complete model code when inquiring or ordering parts.



PACCAR WINCH DIVISION
P.O. BOX 547 BROKEN ARROW, OK U.S.A. 74013
PHONE (918) 251-8511 FAX (918) 259-1575
www.paccarwinch.com



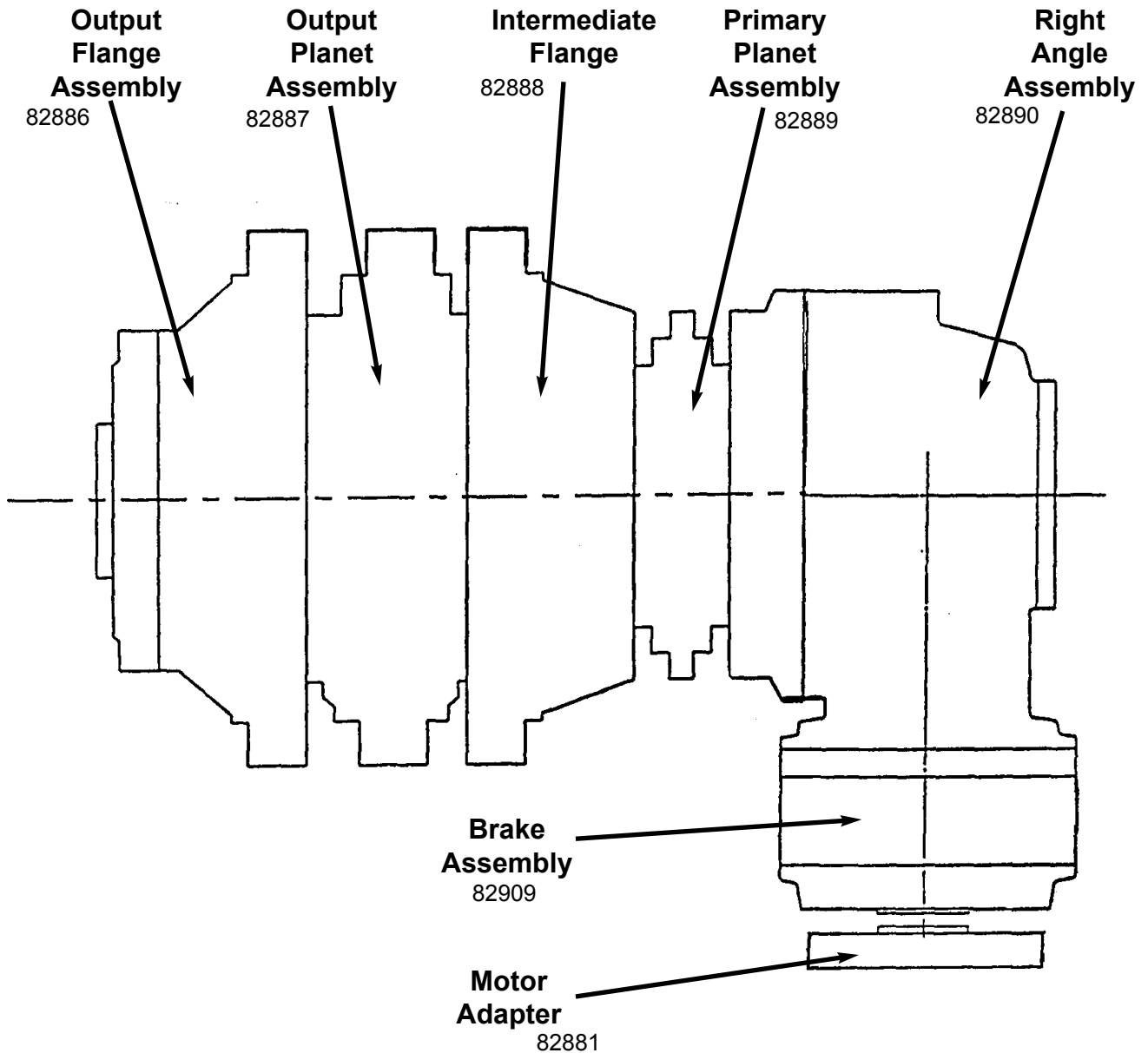
BASIC WINCH PARTS			
Item No.	Description	Part No.	Qty.
6	Clutch Rider	11672	1
10	Brake Band Pin	11569	1
11	Brake Band Assembly	81590	1
12	Brake Band Link Bracket	12786	1
13	Brake Band Link	11570	1
14	Bearing Leg Assy. (with bushing)	81038	1
19	Jam Nut (3/4)	11791	2
24	Dowel Pin	12769	2
23	Clutch Plate	11654	1
30	Clutch Rider	11671	1
31	Clutch Shifter Fork	11673	1
32	Clutch Shifter Bracket	11656	2
33	Pivot Pin	11657	1
64	Collar Bushing	11669	6
58	Clutch Lever	11676	1
59	Clevis Pin	12751	2
60	Clevis	11578	2
61	Clevis Link	11583	1
62	Control Shaft	102867	2
63	Bracket	11579	1
65	Brake Lever	11678	1
70	Capscrew (3/8 - 16 X 1 13/4 G5)	22703	10
72	Capscrew (5/8 - 11 X 2 1/4 G5)	31087	8
75	Capscrew (7/8 - 9 X 3 G5)	23100	12
76	Setscrew	13957	8
77	Hex Nut (3/8)	11780	12
78	Hex Nut (1/2)	22701	4
80	Hex Nut (7/8)	22886	12
81	Lockwasher (5/8)	11028	8
83	Lockwasher (3/4)	13435	2
84	Lockwasher (3/8)	18003	12
86	Lockwasher (7/8)	13447	12
87	Cotter Pin	18008	4
88	Cotter Pin	13959	1
89	Hex Nut (5/8)	22702	2
91	Grease Fitting	18047	6
94	Capscrew (3/8 - 16 X 4 G5)	21477	2
97	Cable Clamp	29036	1
98	Lever Assembly (with setscrew)	81208	2
99	Capscrew (3/8 - 16 X 2 1/4 G5)	21474	4
100	Motor Sub-Assembly	----	1
103	Capscrew (1/2 X 1 1/2 G8)	29290	4
104	Lockwasher (1/2)	11026	4
106	Right Angle Gearbox	----	1
107	Motor End Drum Support	102688	1
108	Capscrew (5/8 - 11 X 9)	102689	13
109	Hex Nut (5/8)	13448	13
110	Lockwasher (5/8)	11028	13
111	O-Ring	72112	1
112	Spherical Roller Bearing	102690	1
113	Bearing Cap	102691	1
114	O-Ring	10450	1
115	Seal	32187	1
116	Capscrew (5/16 - 18 X 3/4)	11763	8
117	Lockwasher (5/16)	11024	8
118	Spline Adapter	102692	1
119	Drum Shaft	102693	1
120	Retaining Ring	102694	1
121	Retaining Ring	102695	1
122	Spacer	102696	1
123	Sliding Clutch	102697	1
124	Cable Drum (with bushings)	82848	1
127	Base Angle (right hand)	102703	1
128	Base Angle (left hand)	102702	1
133	Hydraulic Adapter	102774	1



MOTOR SUB-ASSEMBLY PARTS

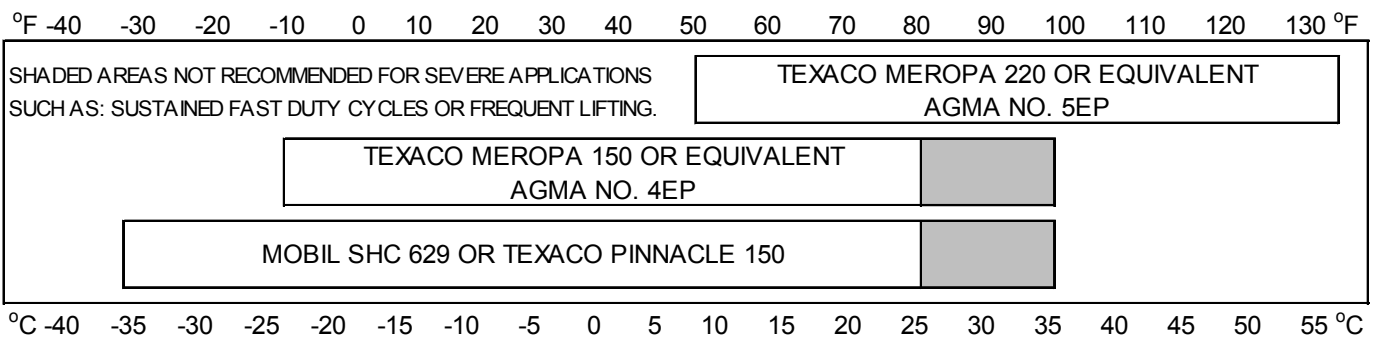
Item No.	Description	Part No.	Qty.
1	2 Speed Hydraulic Motor	25651	1
2	Brake Valve	81984	1
3	O-Ring	13838	2
4	Capscrew (7/16 - 14 X 4 1/2 G8)	102476	4
5	Hose Assembly (10 in. -4 to -4)	25936	2
6	Hose Assembly (17 in.)	25750	3
7	Adapter	25864	4
8	Swivel Tee	25748	1
9	Elbow Fitting	25302	6
10	Reducer Elbow	24236	1
11	Hose Assembly (20 in.)	25952	1
12	Hose Assembly (10 in. NPT to -4)	13711	1
13	Swivel Tee	25748	1
14	Warning Tag	29080	1
15	Cap Nut	70182	1
16	Tie Wire	-----	1
17	Manifold	102922	1
18	Male Union	70122	2

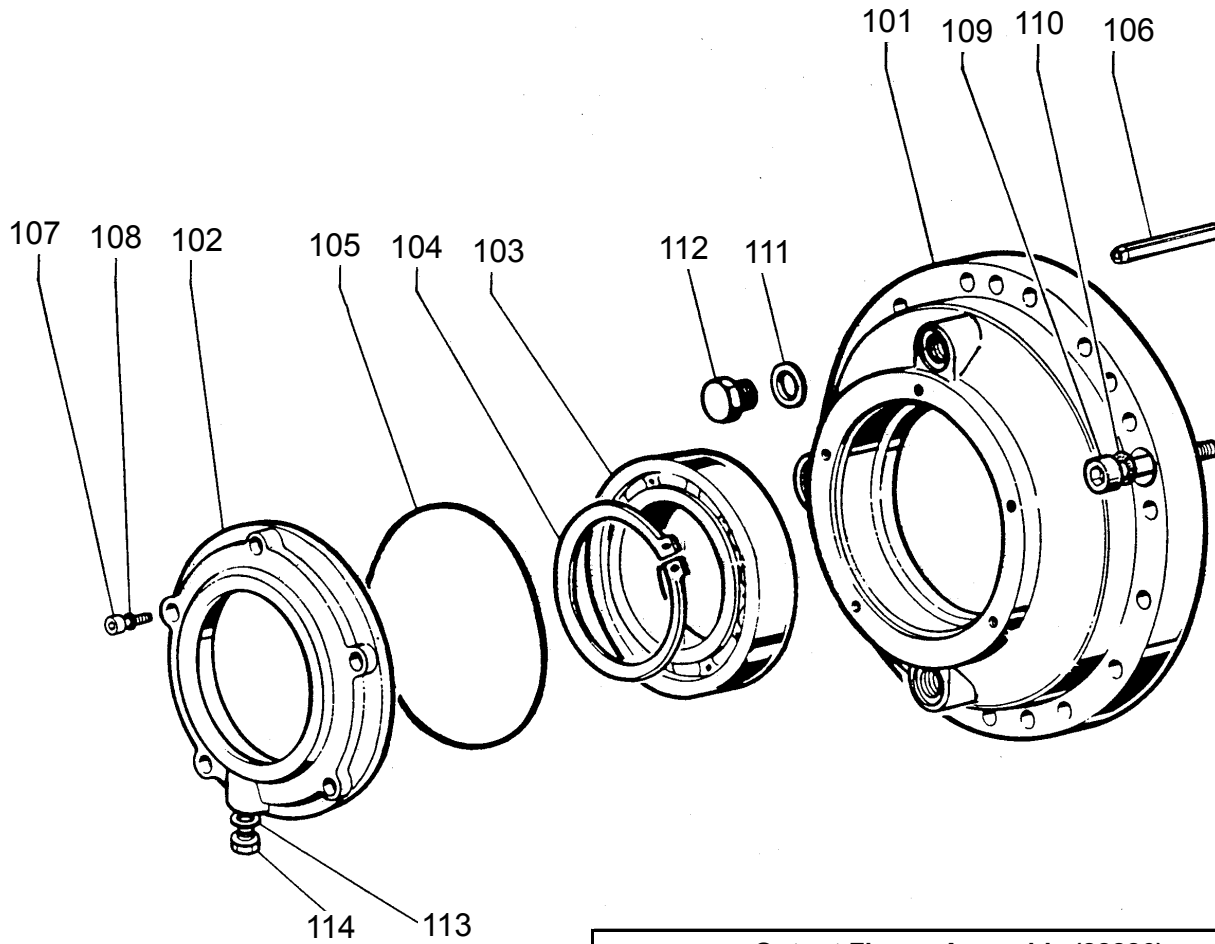
OVERALL GEARBOX ASSEMBLY



RECOMMENDED GEAR OIL

PREVAILING AMBIENT TEMPERATURE

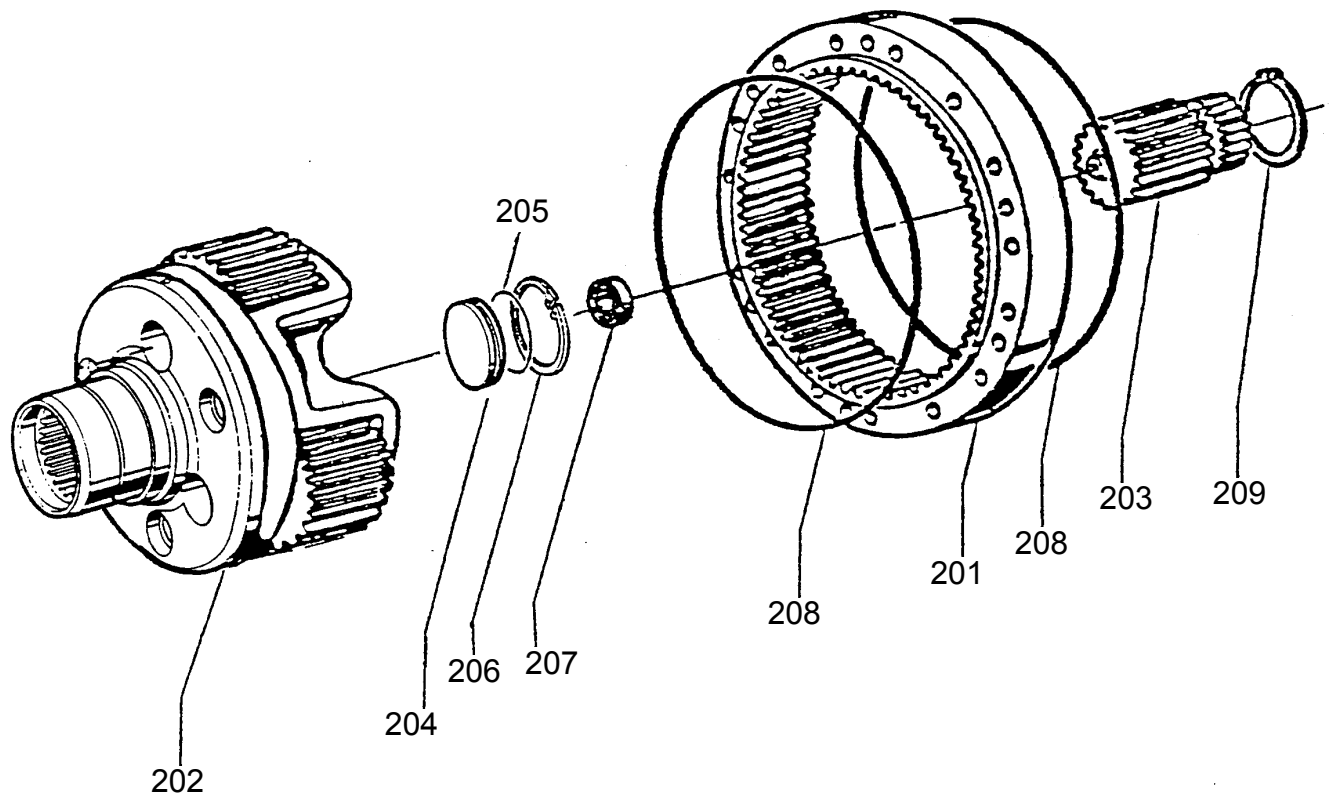




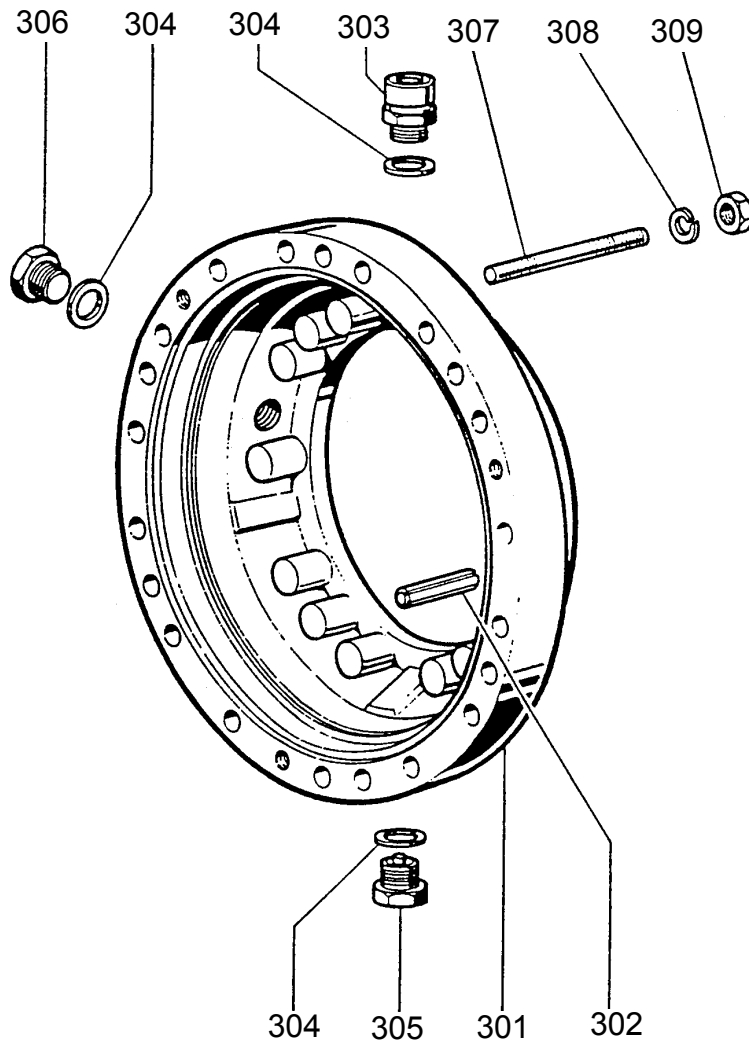
Output Flange Assembly (82886)			
Item No.	Description	Part No.	Qty.
101	Output Flange		1
102	Seal Carrier		1
103	Bearing		1
104	Retaining Ring		1
105	O-Ring		1
106	Rollpin		3
107	Capscrew		5
108	Washer		5
109	Capscrew		3
110	Washer		3
111	Washer		3
112	Plug		3
113	Washer		1
114	Plug		1

GEARBOX KITS

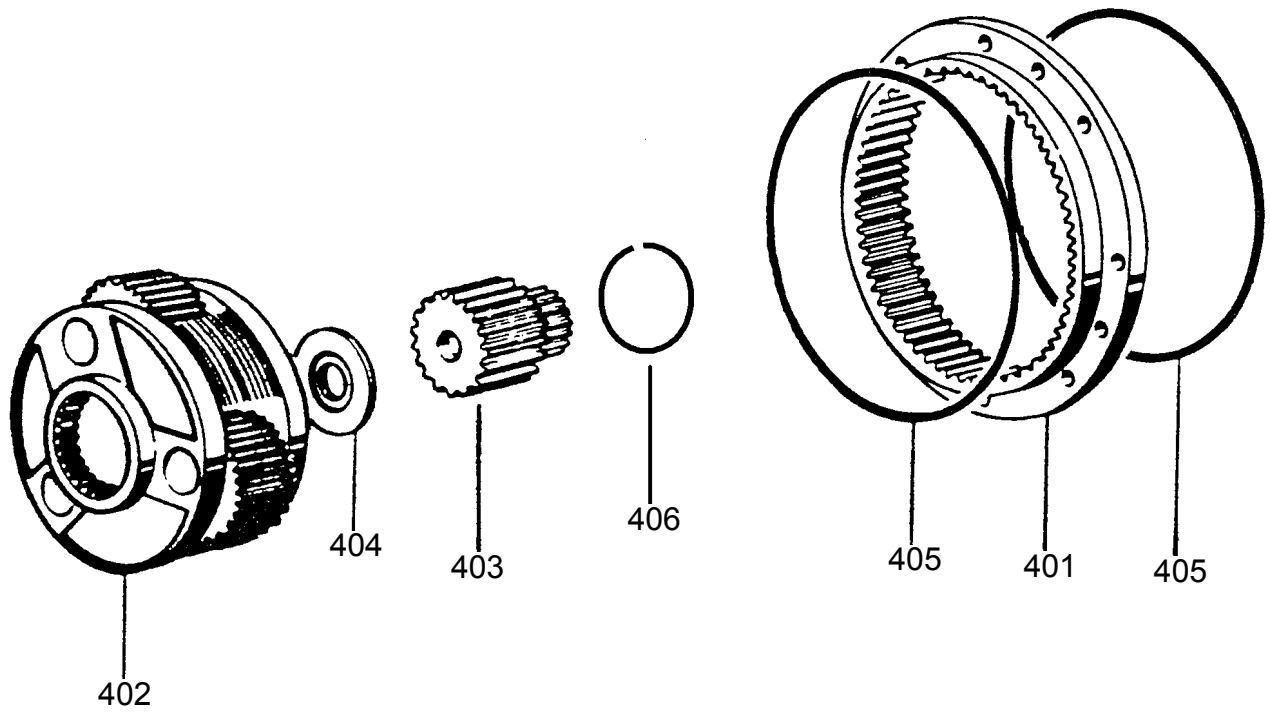
Seal Kit **Part No. 83010**
Bearing Kit **Part No. 82883**
Plug & Vent Kit **Part No. 82884**
Brake Repair Kit **Part No. 82885**



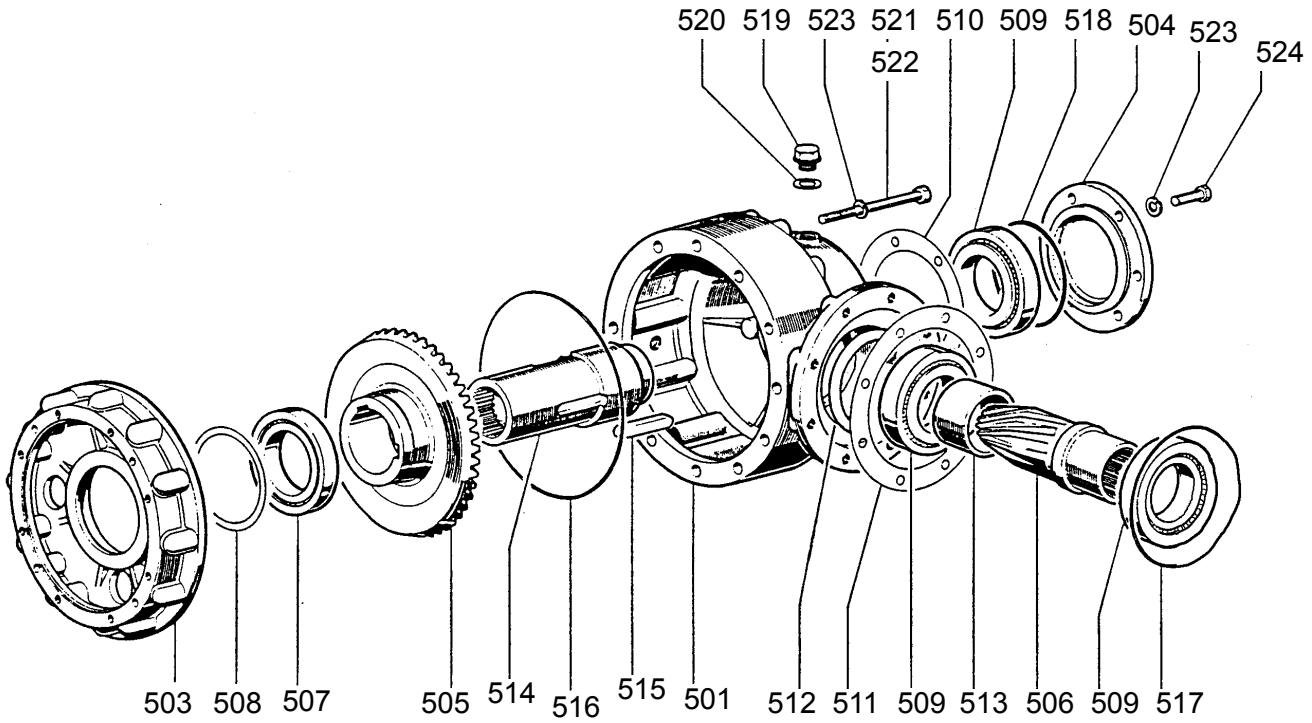
Output Planet Assembly (82887)			
Item No.	Description	Part No.	Qty.
201	Ring Gear		1
202	Output Planet Assembly		1
203	Output Sun Gear		1
204	Thrust Washer		1
205	O-Ring		1
206	Retaining Ring		1
207	Bearing		1
208	O-Ring		2
209	Retaining Ring		1



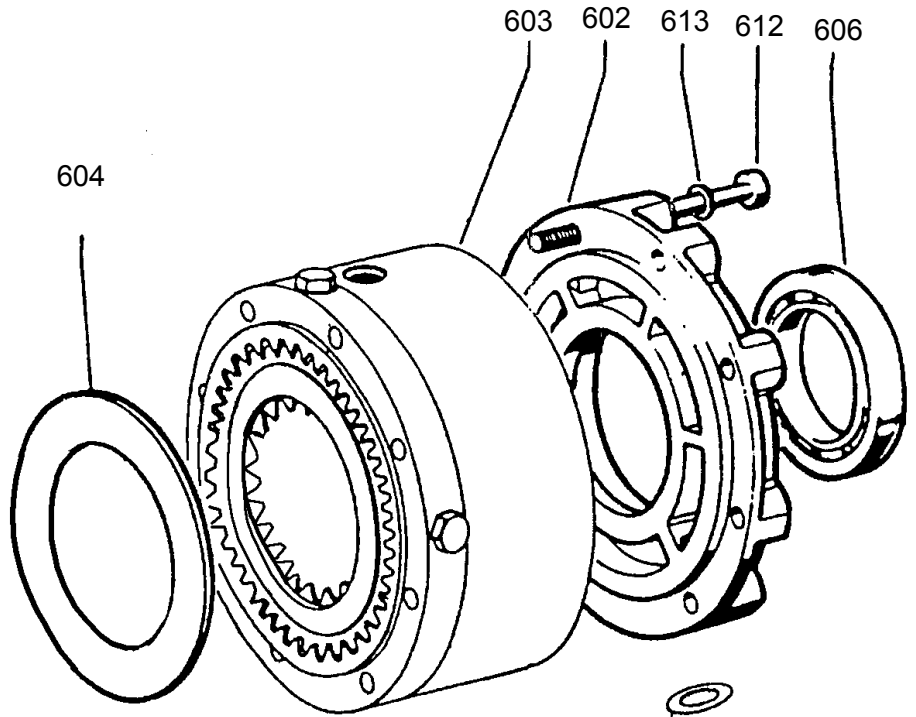
Intermediate Flange Assembly (82888)			
Item No.	Description	Part No.	Qty.
301	Intermediate Flange		1
302	Rollpin		4
303	Breather		1
304	Washer		3
305	Magnetic Plug		1
306	Plug		1
307	Stud		10
308	Washer		10
309	Hex Nut		10



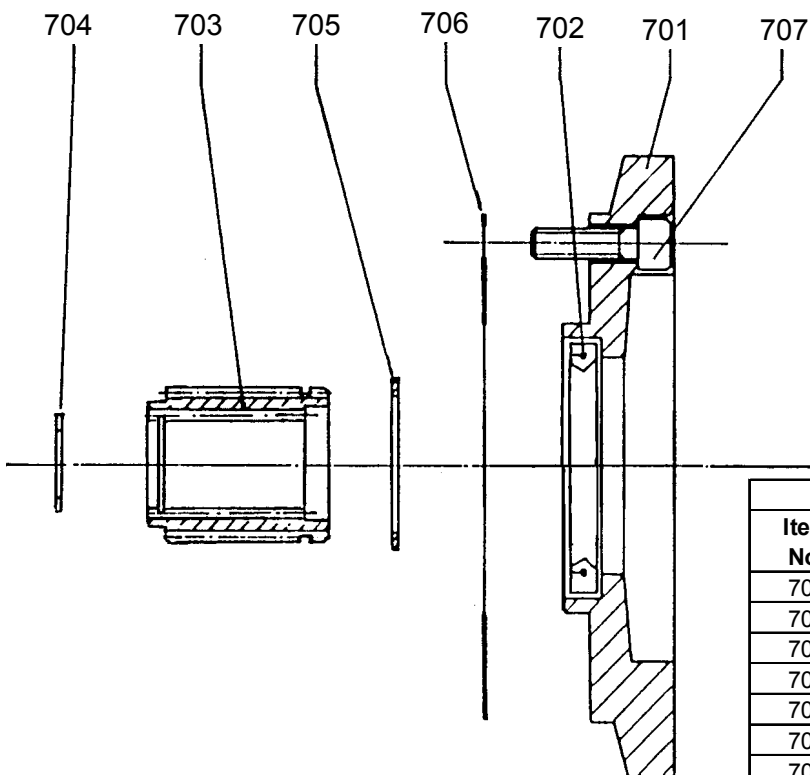
Primary Planet Assembly (82889)			
Item No.	Description	Part No.	Qty.
401	Ring Gear		1
402	Primary Planet Assembly		1
403	Primary Sun Gear		1
404	Thrust Washer		1
405	O-Ring		2
406	Retaining Ring		1



Right Angle Assembly (82890)			
Item No.	Description	Part No.	Qty.
501	Housing		1
503	Adapter Flange		1
504	Input Cover		1
505	Bevel Gear		1
506	Bevel Pinion		1
507	Bearing		1
508	Shim		1
509	Bearing		3
510	Shim		1
511	Shim		1
512	Shim		1
513	Spacer		1
514	Ring Gear Shaft		1
515	Key		2
516	O-Ring		1
517	O-Ring		1
518	O-Ring		1
519	Plug		7
520	Washer		7
521	Capscrew (105 mm long)		9
522	Capscrew (140 mm long)		2
523	Washer		17
524	Capscrew		6



Brake Assembly (82909)			
Item No.	Description	Part No.	Qty.
602	Adapter Flange		1
603	Brake Assembly		1
604	Spacer		1
606	Bearing		2
610	Plug		2
611	Washer		2
612	Capscrew		8
613	Washer		16



Motor Adapter (82881)			
Item No.	Description	Part No.	Qty.
701	Motor Flange		1
702	Seal		1
703	Motor Coupling		1
704	Retaining Ring		1
705	Retaining Ring		1
706	Gasket		1
707	Capscrew		6