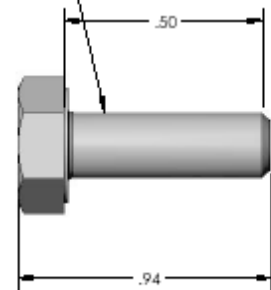
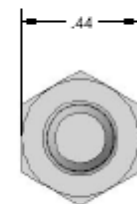
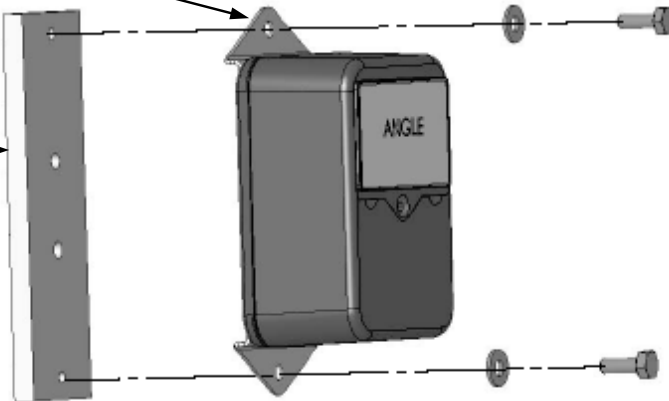
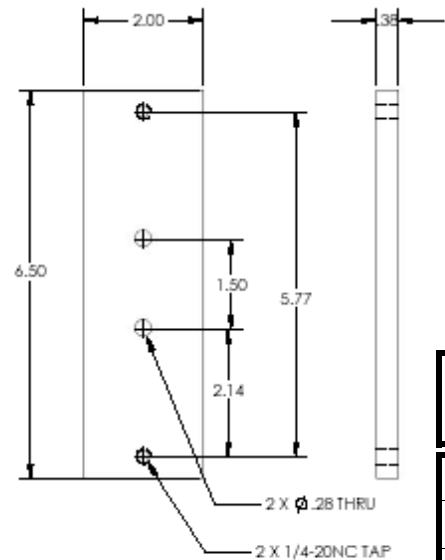


Backing plate

1/4-20NC THREAD X .50 LONG



Weld plate



**Cranesmart angle transducer
Installation dimensions and specifications June 2004**

Height	4.86 inches	Operating temp in °F	-40 to +140
Width	3.66 inches	Battery / Life	Lithium ion / 5+ years
Depth	2.18 inches	FCC compliance	NFBLAB124
Weight	4.40 pounds	Antenna	internal quarter wave

