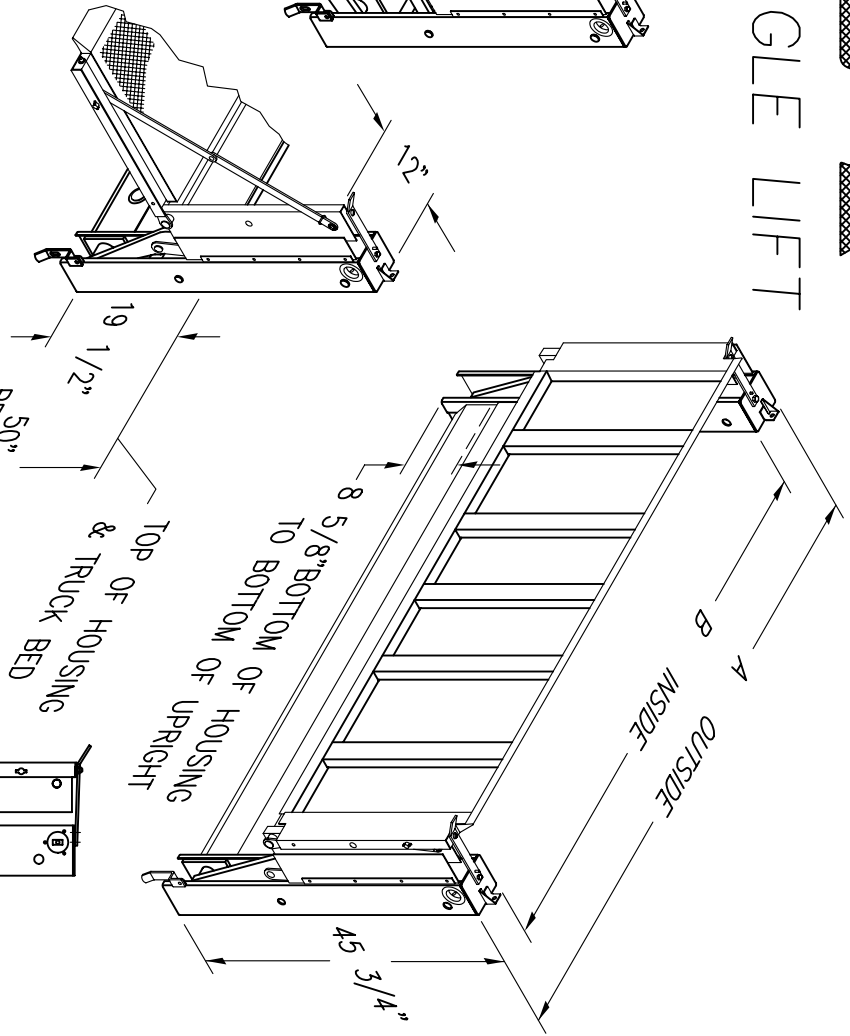
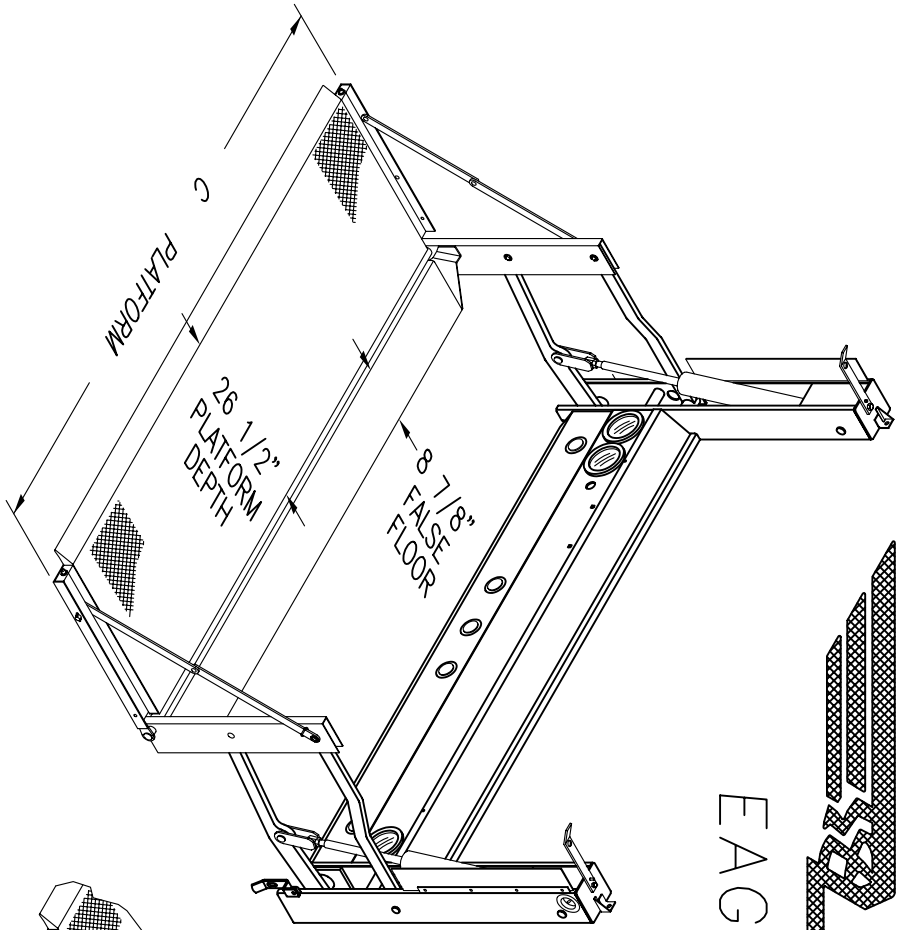


EAGLE LIFT



DIRECT LIFT DUAL CYL. LIFTGATES
 HYDRAULIC LIFT, (NO CABLES)
 STATE MAKE, MODEL, AND YEAR WHEN ORDERING

MODEL	A	B	C	*APPROX. WGT.	CG (X)	CG (Y)
EDL16-78	85 5/8"	74 1/2"	82 3/4"	810#	5 1/8"	20 5/8"
EDL16-86	91 1/8"	80"	88 1/4"	820#	5 1/8"	20 5/8"

*NOTE: WEIGHTS DO NOT INCLUDE MOUNTING BRACKETS OR HARDWARE

