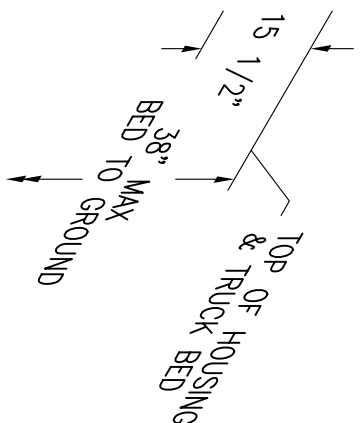
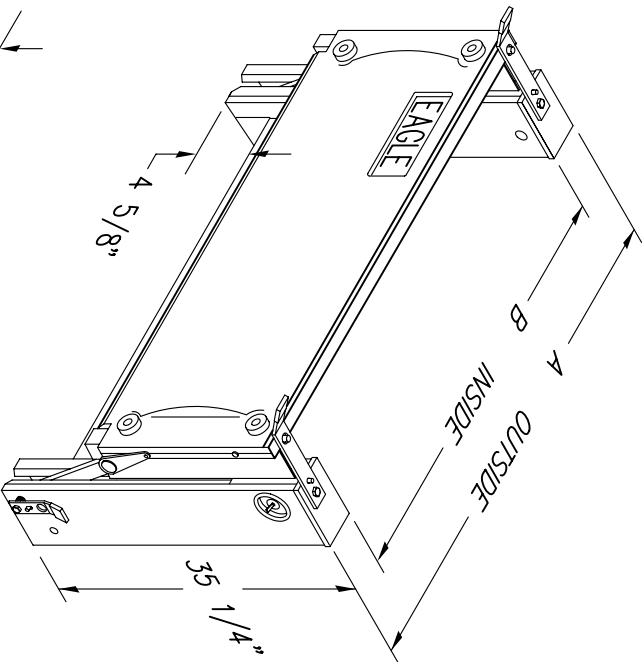
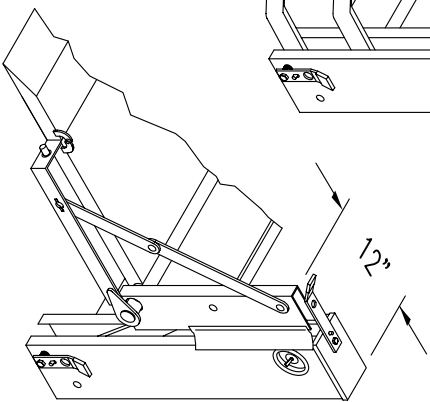
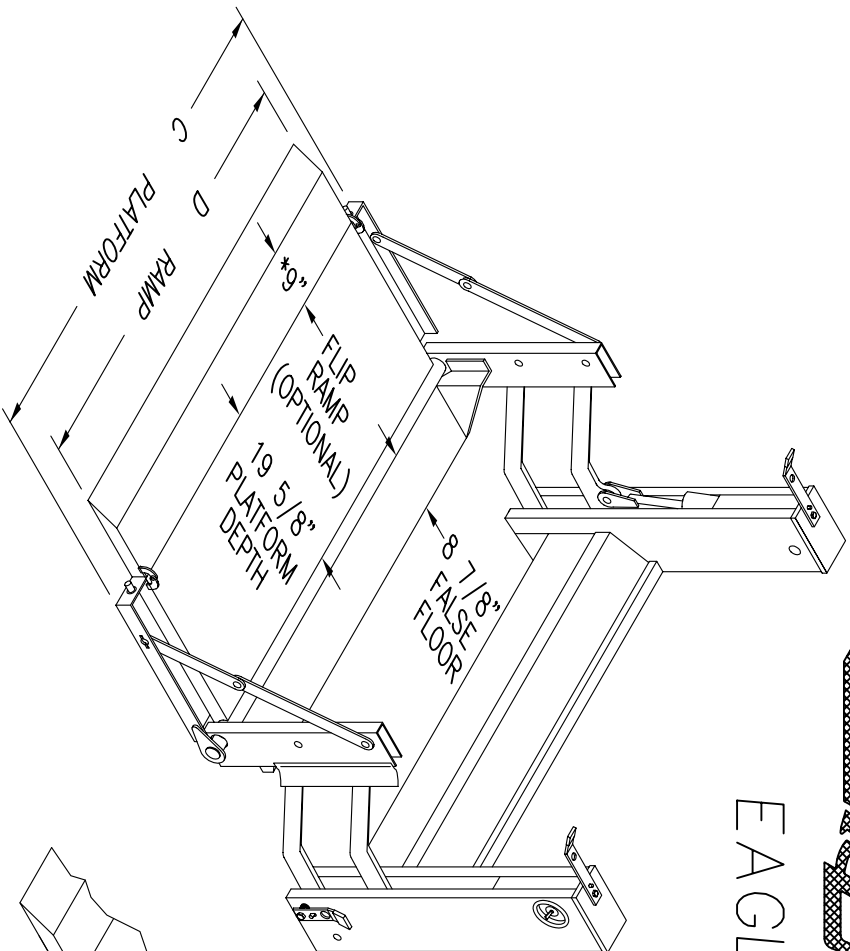
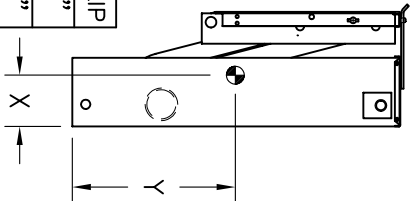


EAGLE LIFT



DIRECT LIFT SINGLE CYL. LIFTGATES
 HYDRAULIC LIFT, (NO CABLES)
 STATE MAKE, MODEL, AND YEAR WHEN ORDERING

MODEL	A	B	C	D	*APPROX. WGT.	CG (X)	CG (Y)	CG (X) FLIP	CG (Y) FLIP
EDL-54	55 5/8"	47 1/8"	55"	48 3/4"	415#	4 3/4"	16"	5 1/2"	17 1/2"
EDL-58/60	60 3/4"	52 1/4"	61"	53 3/4"	490#	4 3/4"	16"	5 1/2"	17 1/2"
EDL-64	66 1/4"	57 3/4"	65 3/4"	59 3/8"	505#	4 3/4"	16"	5 1/2"	17 1/2"



*NOTE: WEIGHTS DO NOT INCLUDE MOUNTING BRACKETS OR HARDWARE
 12" FLIP IS OFFERED AS AN OPTION (CAPACITY IS REDUCED TO 1000#)